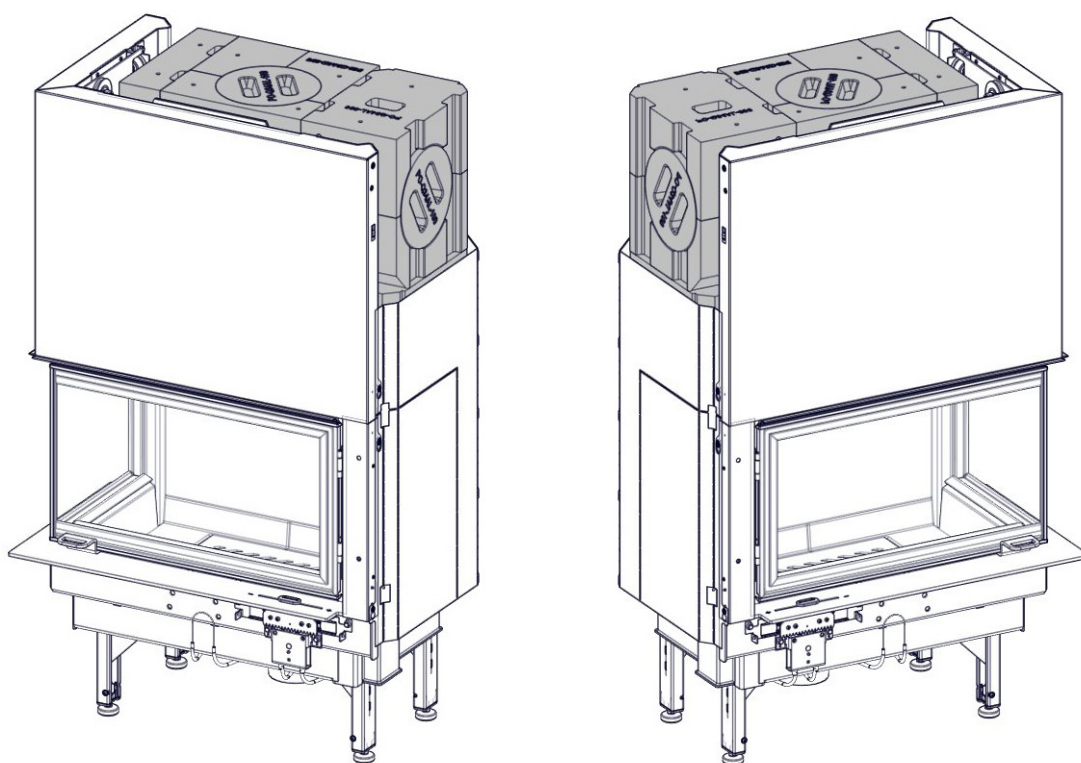
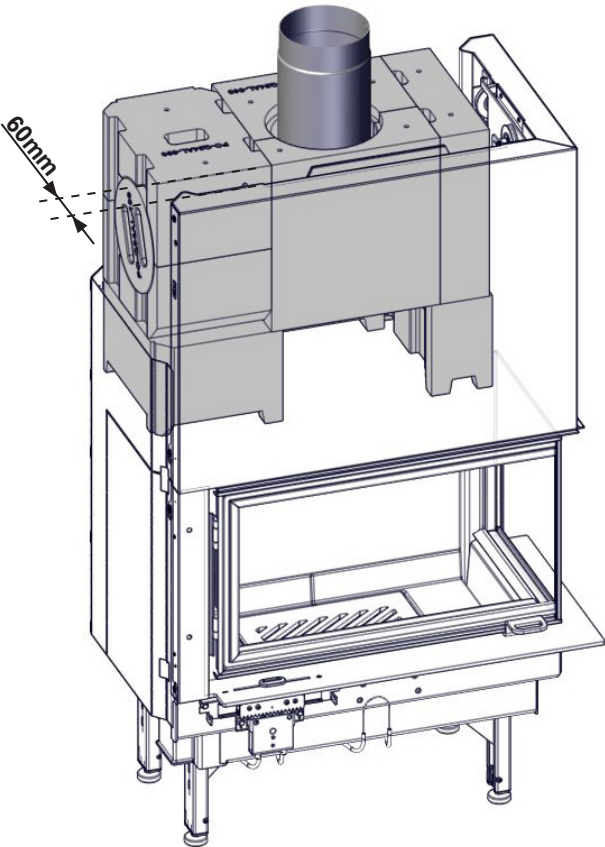


Ⓝ	NO	Monteringsanvisning	2
Ⓝ	GB	Installation manual	2
Ⓝ	SE	Installationsanvisning	2
Ⓝ	FI	Asennusohje	2
Ⓝ	DE	Montageanleitung	2
Ⓝ	FR	Manuel d'installation	2



Powerstone set for Q-34AL

Q-34AL Right



Q-34AL Left

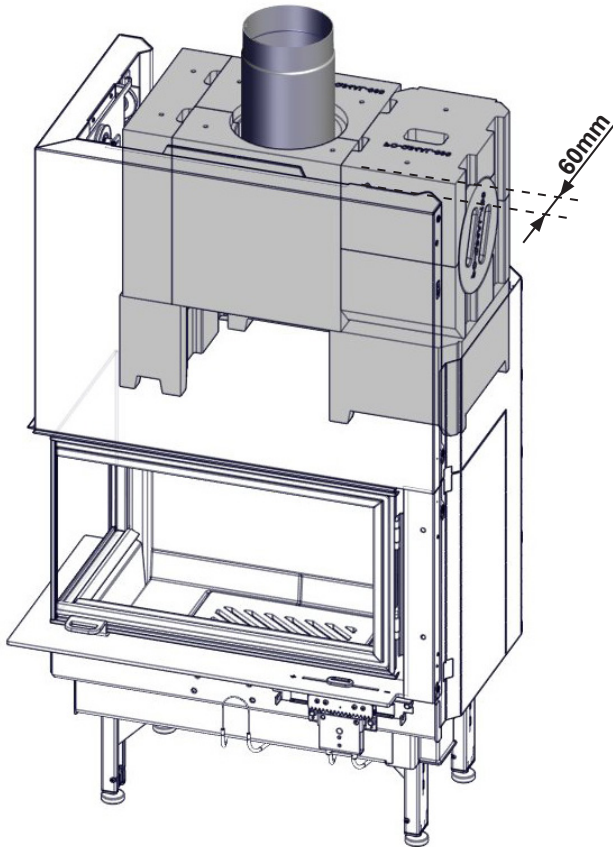
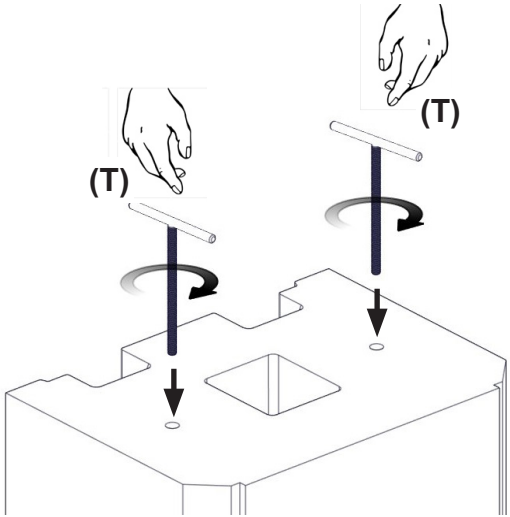


FIG 1



PO-Q34AL-030

FIG 2A Q-34AL Right

- 1. PO-Q34AL-030
- 2. PO-Q34AL-020
- 3. PO-Q34AL-010

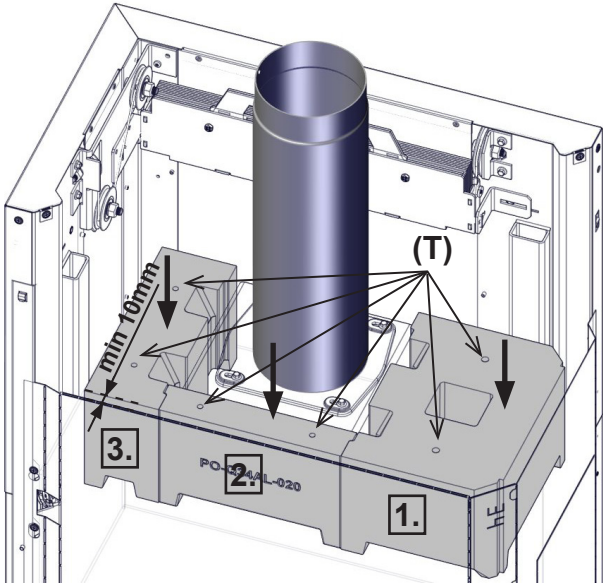


FIG 2B Q-34AL Left

- 1. PO-Q34AL-030
- 2. PO-Q34AL-020
- 3. PO-Q34AL-010

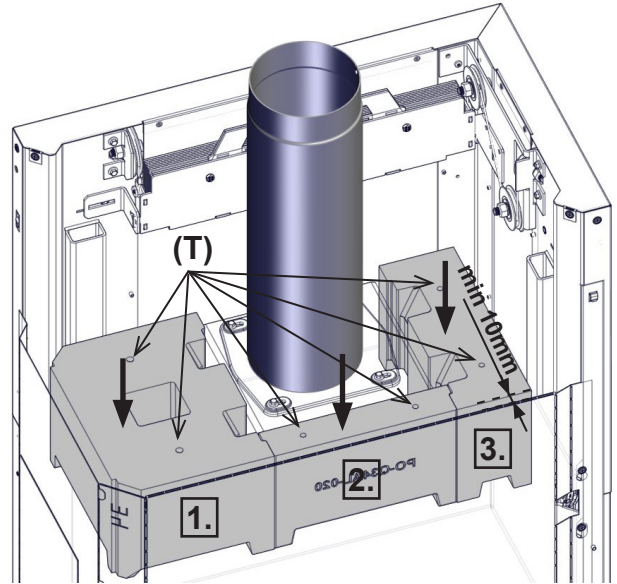


FIG 3AB

22-Q34AL-060

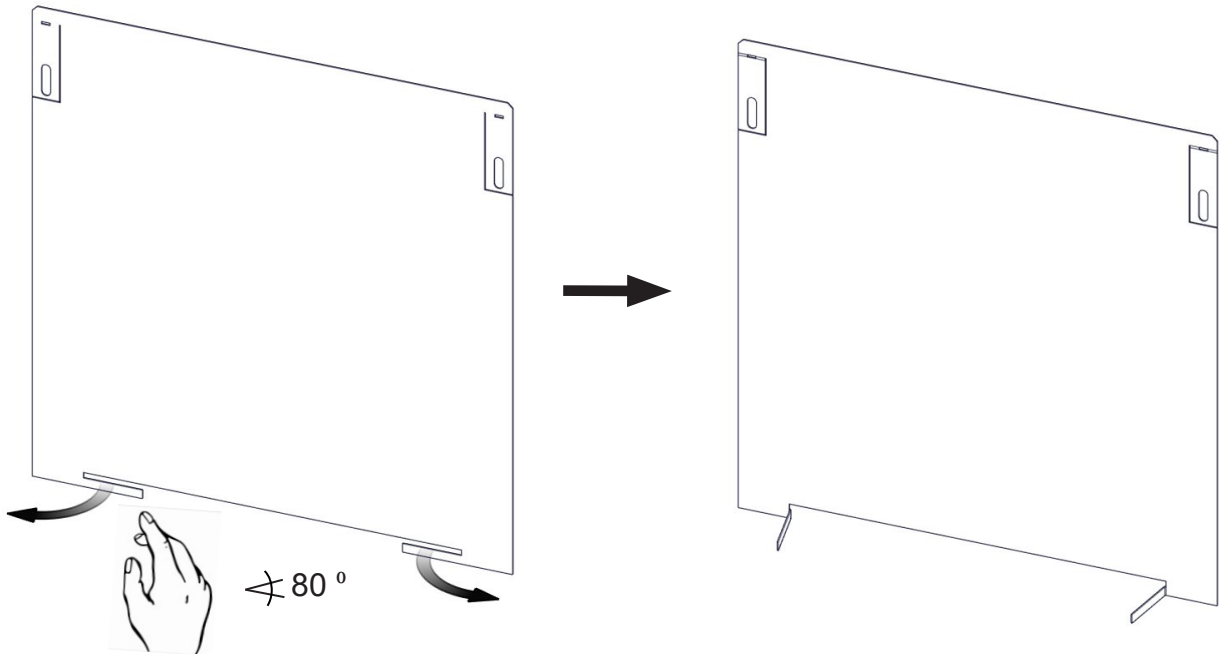


FIG 4A Q-34AL Right

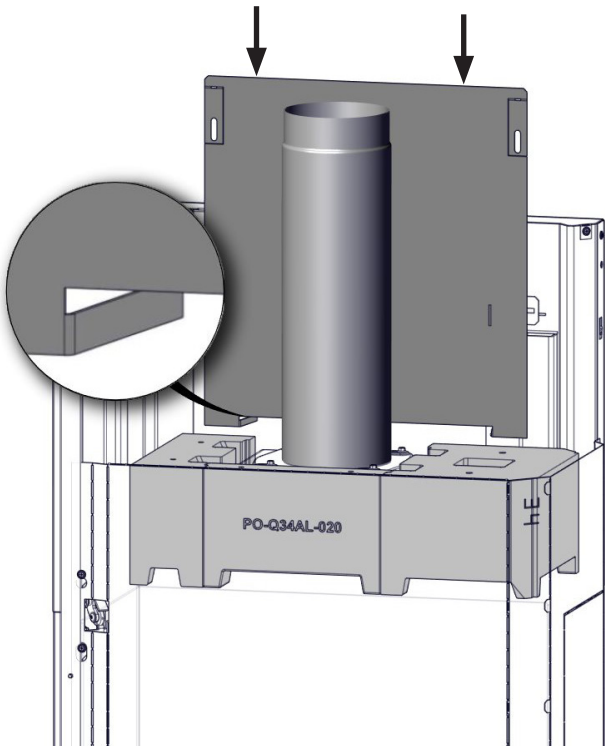


FIG 4B Q-34AL Left

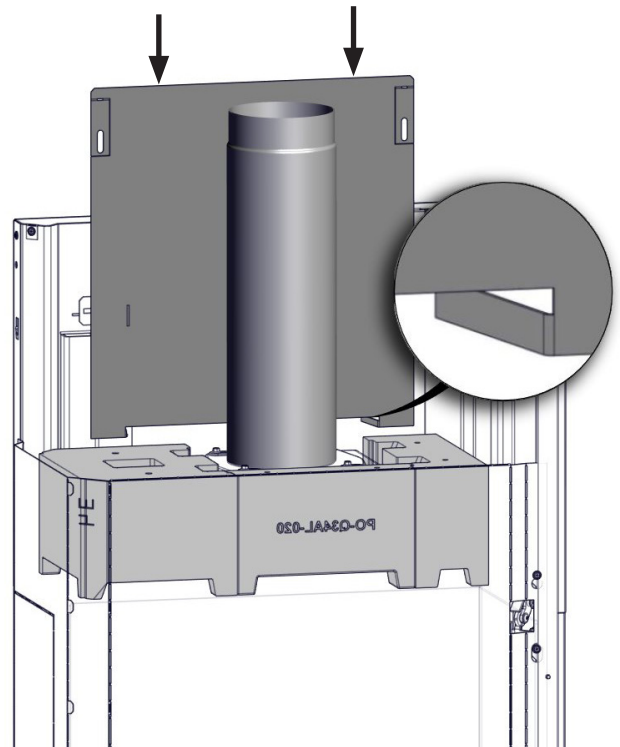


FIG 5A Q-34AL Right

- 4. PO-Q34AL-070
- 5. PO-Q34AL-110
- 6. PO-Q34AL-100
- 7. PO-Q34AL-060
- 8. PO-Q34AL-050

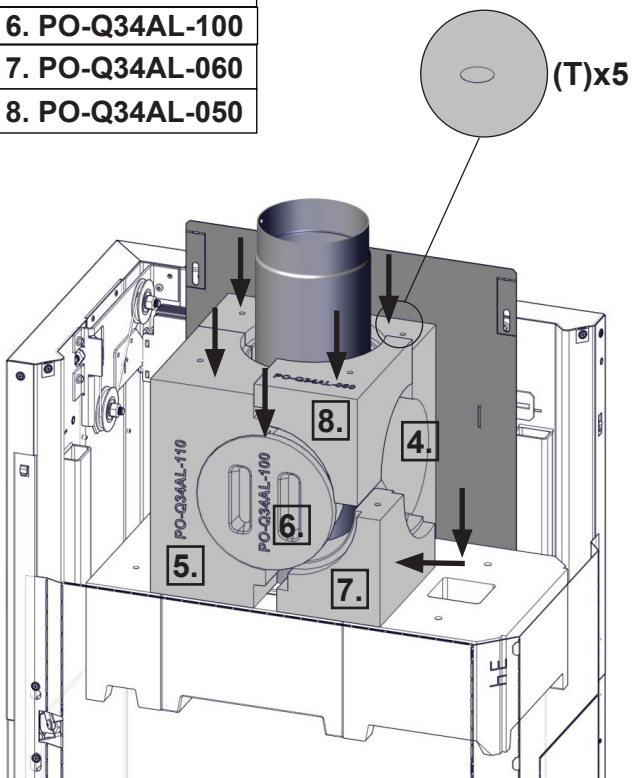


FIG 5B Q-34AL Left

- 4. PO-Q34AL-070
- 5. PO-Q34AL-110
- 6. PO-Q34AL-100
- 7. PO-Q34AL-050
- 8. PO-Q34AL-060

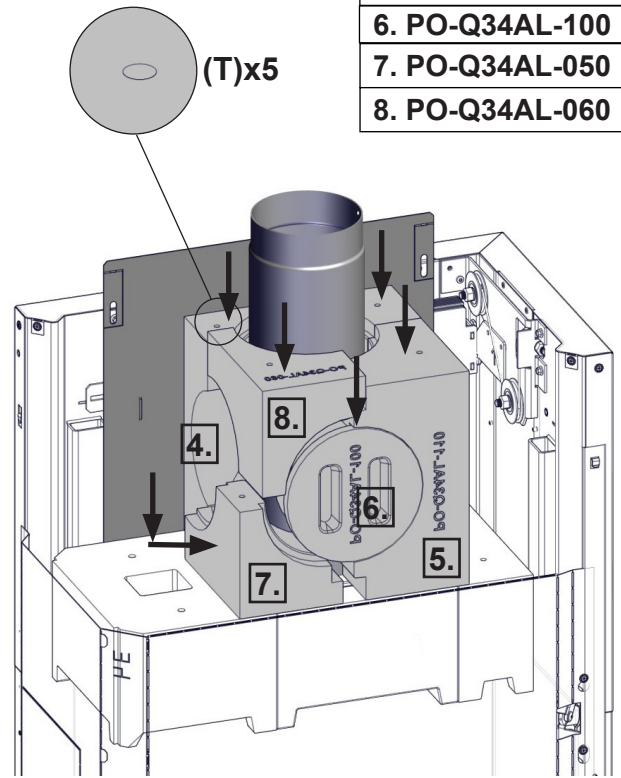


FIG 6A Q-34AL Right

- 9. PO-Q34AL-080
- 10. PO-Q34AL-100
- 11. PO-Q34AL-090
- 12. PO-Q34AL-040

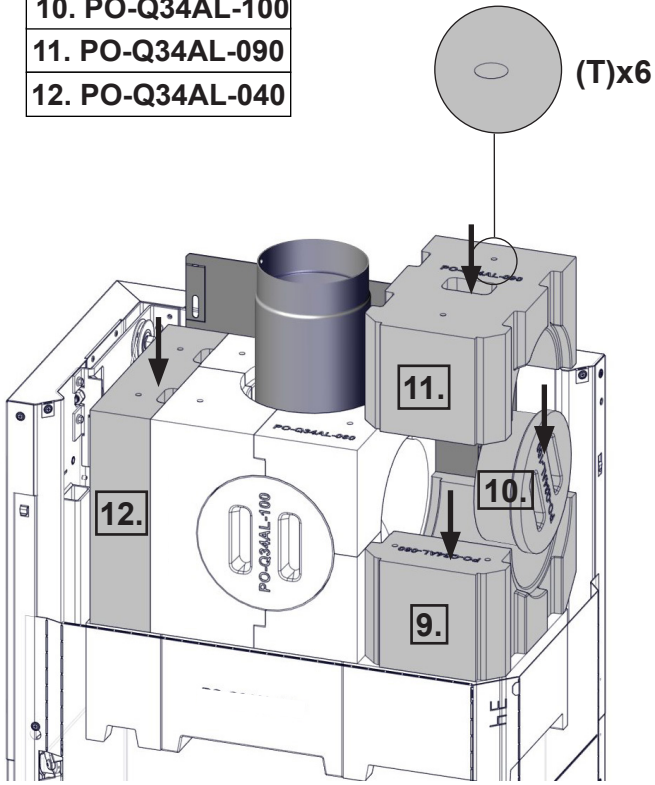


FIG 6B Q-34AL Left

- 9. PO-Q34AL-080
- 10. PO-Q34AL-100
- 11. PO-Q34AL-090
- 12. PO-Q34AL-040

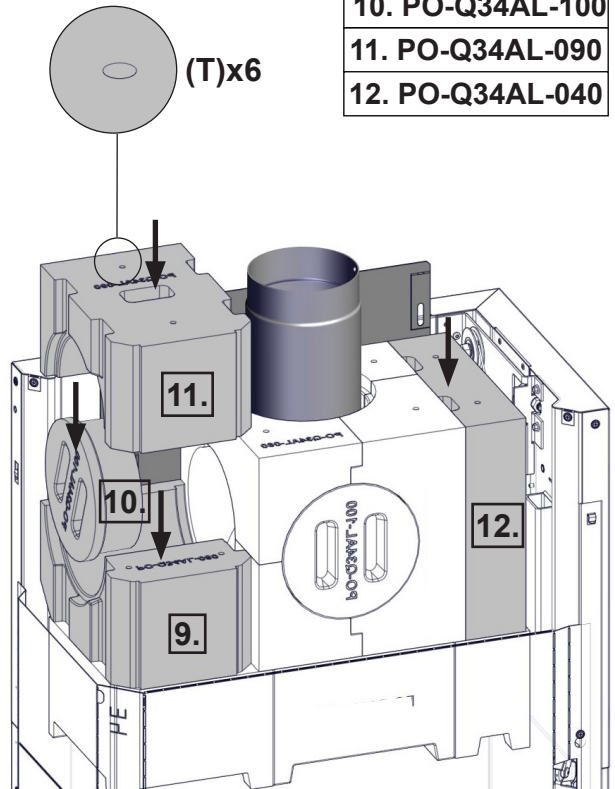


FIG 7AB

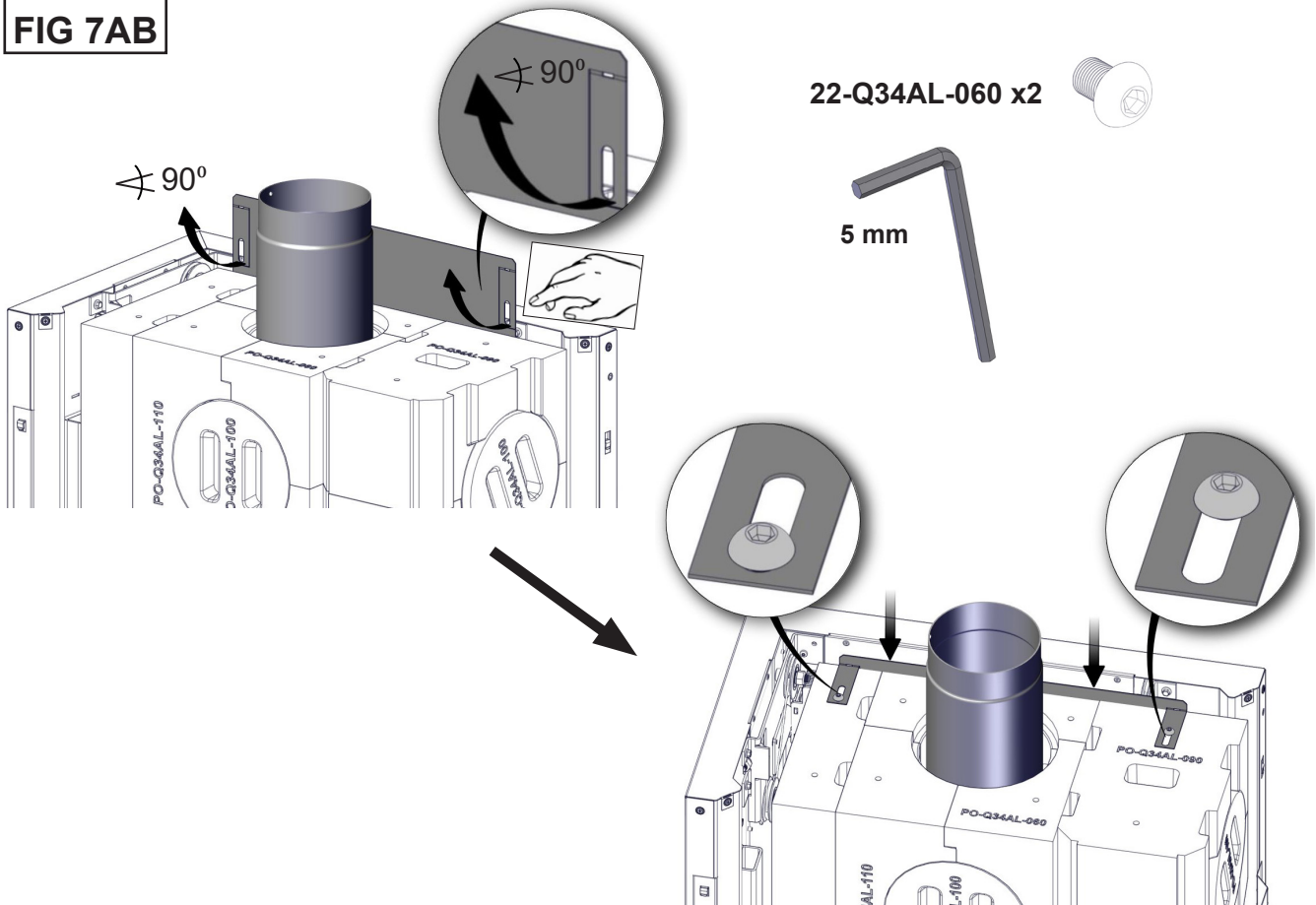
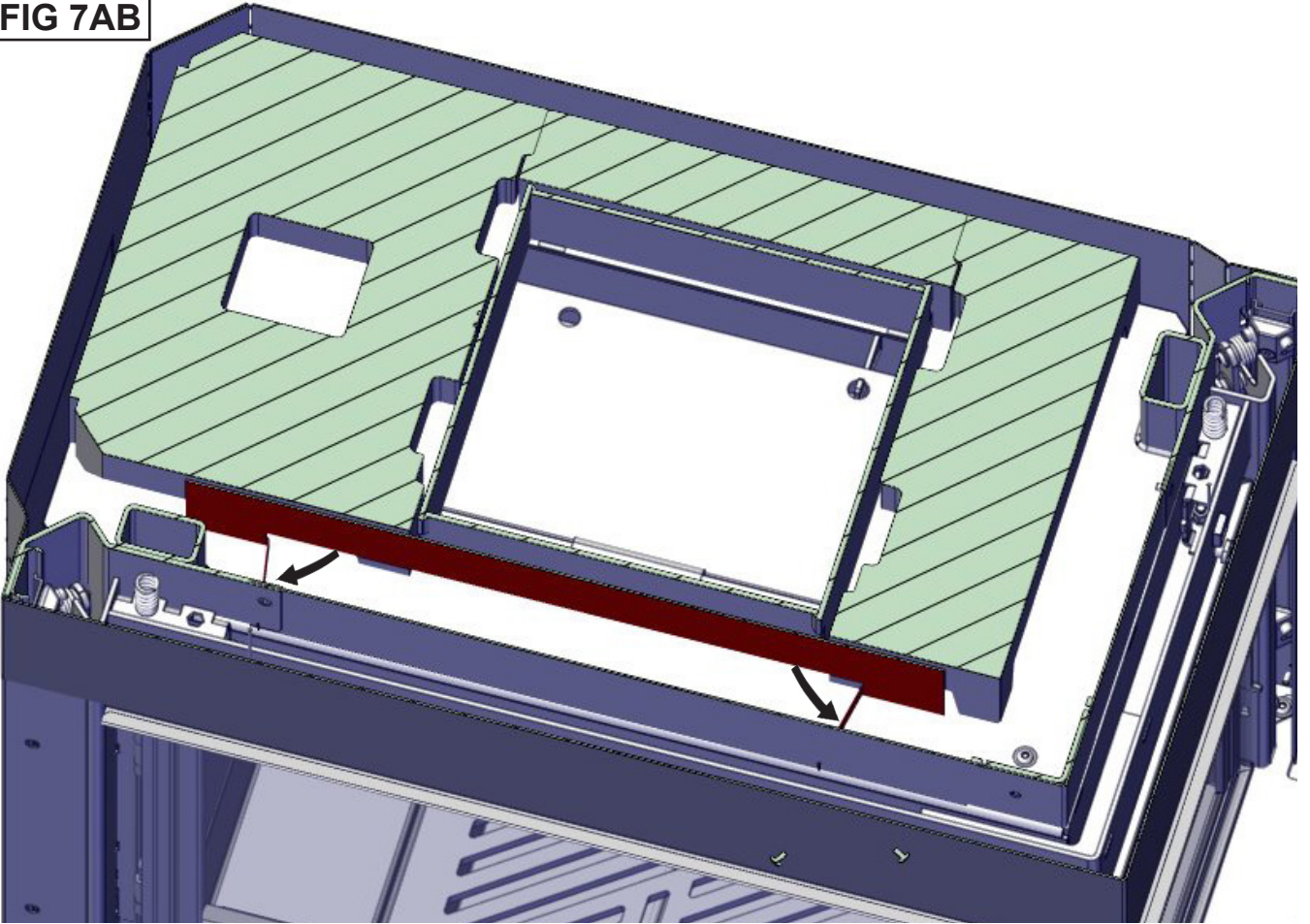
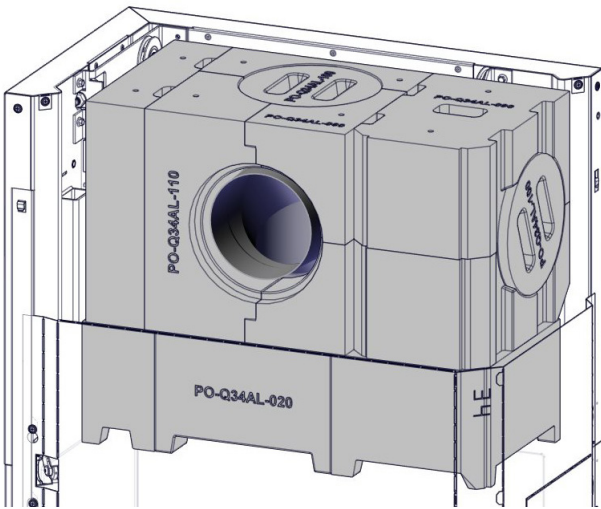


FIG 7AB



Q-34AL Right

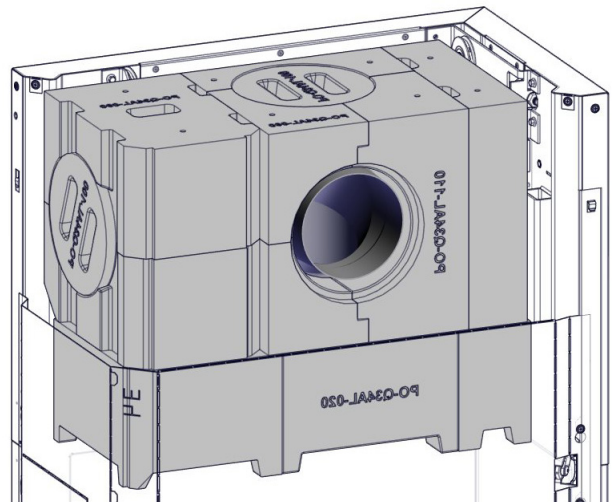


Powerstone set for Q34AL



➔ **FIG 1 - FIG 4A**

Q-34AL Left



Powerstone set for Q34AL



➔ **FIG 1 - FIG 4B**

FIG 8A Q-34AL Right

- 4. PO-Q34AL-070
- 5. PO-Q34AL-060
- 6. PO-Q34AL-110
- 7. PO-Q34AL-050

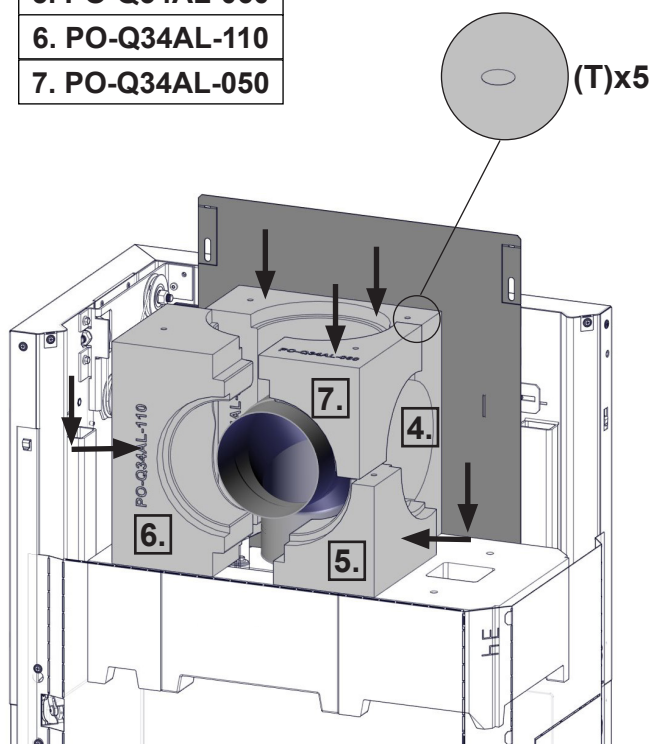


FIG 8B Q-34AL Left

- 4. PO-Q34AL-070
- 5. PO-Q34AL-050
- 6. PO-Q34AL-110
- 7. PO-Q34AL-060

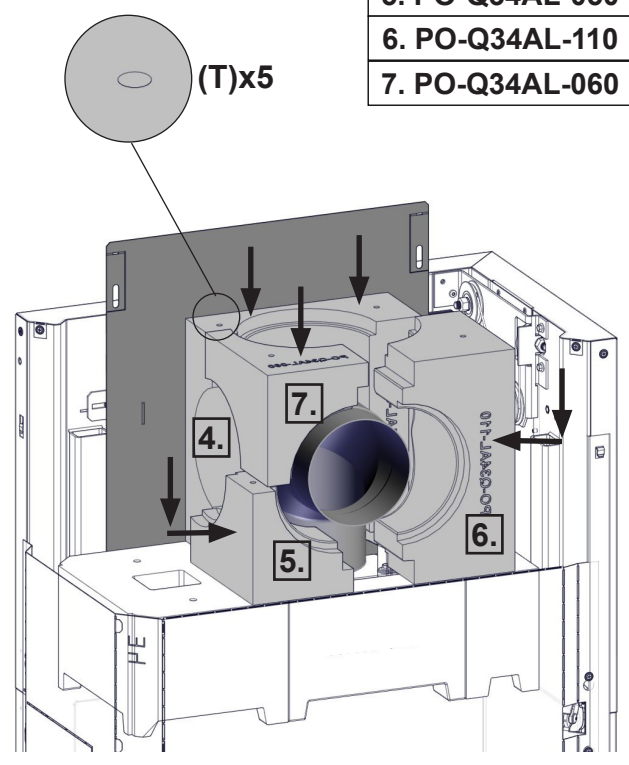


FIG 9A Q-34AL Right

- 8. PO-Q34AL-080
- 9. PO-Q34AL-100
- 10. PO-Q34AL-090
- 11. PO-Q34AL-040
- 12. PO-Q34AL-100

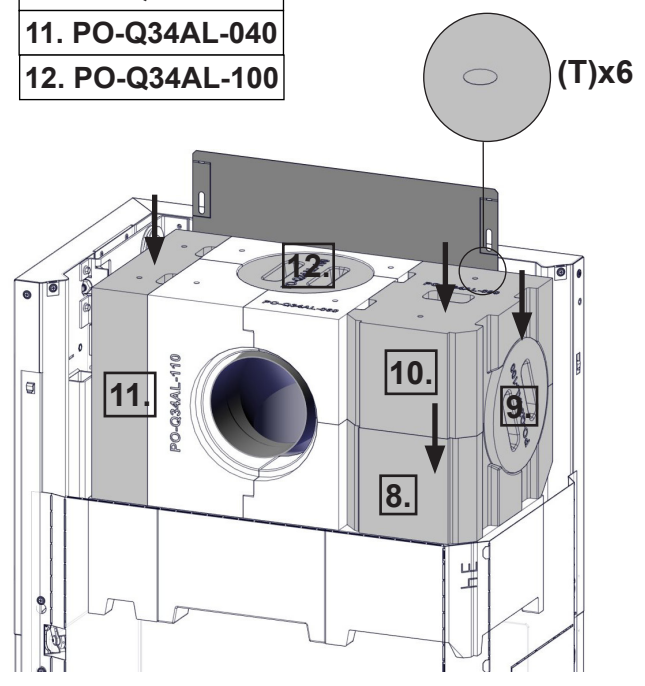
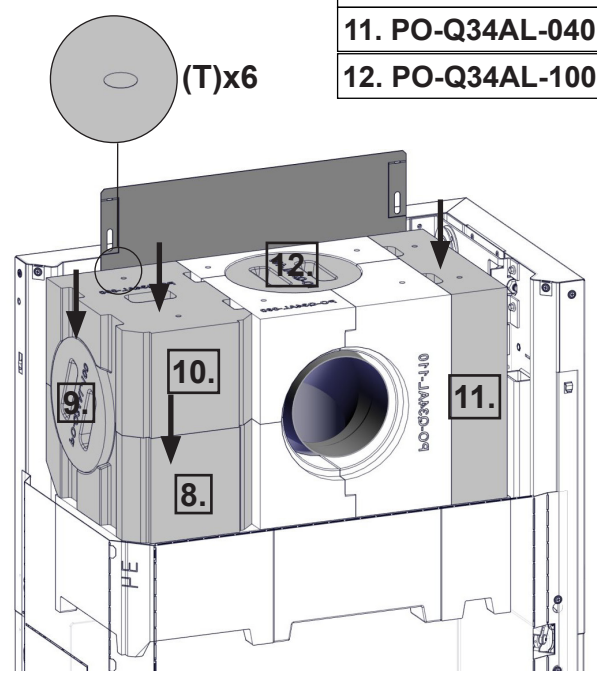


FIG 9B Q-34AL Left

- 8. PO-Q34AL-080
- 9. PO-Q34AL-100
- 10. PO-Q34AL-090
- 11. PO-Q34AL-040
- 12. PO-Q34AL-100

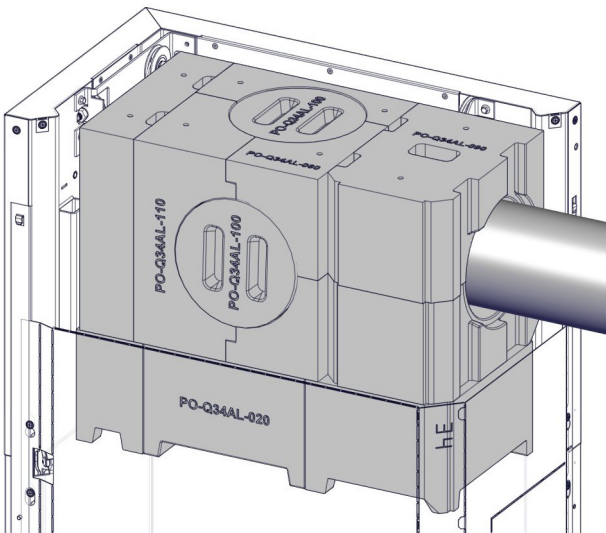


Powerstone set for Q34AL



→ FIG 7AB

Q-34AL Right

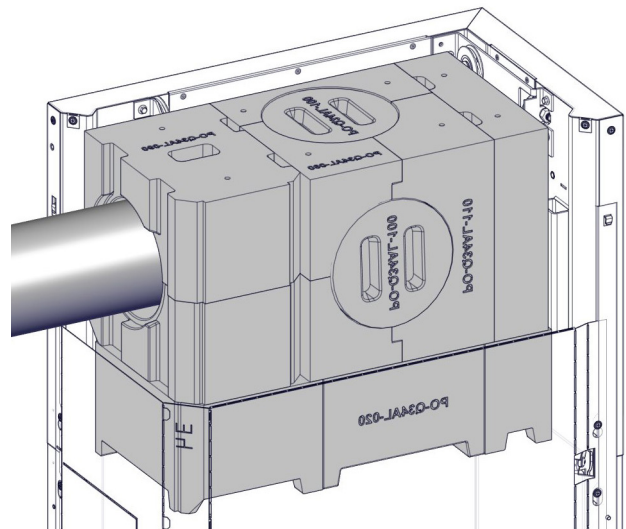


Powerstone set for Q34AL



→ FIG 1 - FIG 4A

Q-34AL Left



Powerstone set for Q34AL



→ FIG 1 - FIG 4B

FIG 10A Q-34AL Right

4. PO-Q34AL-080

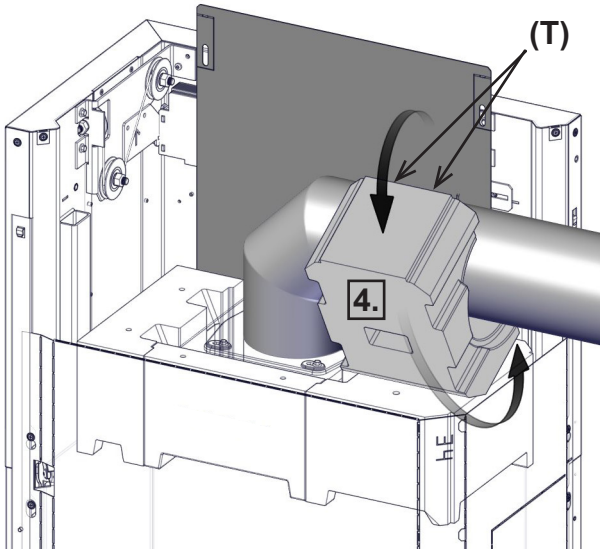


FIG 10B Q-34AL Left

4. PO-Q34AL-080

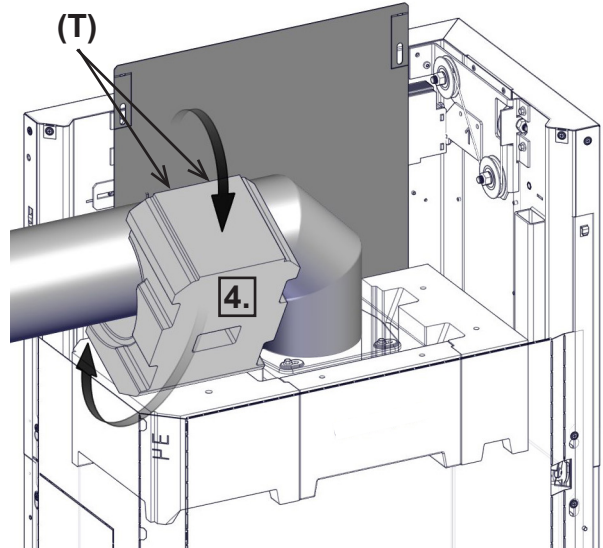


FIG 11A Q-34AL Right

- 5. PO-Q34AL-070
- 6. PO-Q34AL-060
- 7. PO-Q34AL-110
- 8. PO-Q34AL-100
- 9. PO-Q34AL-050

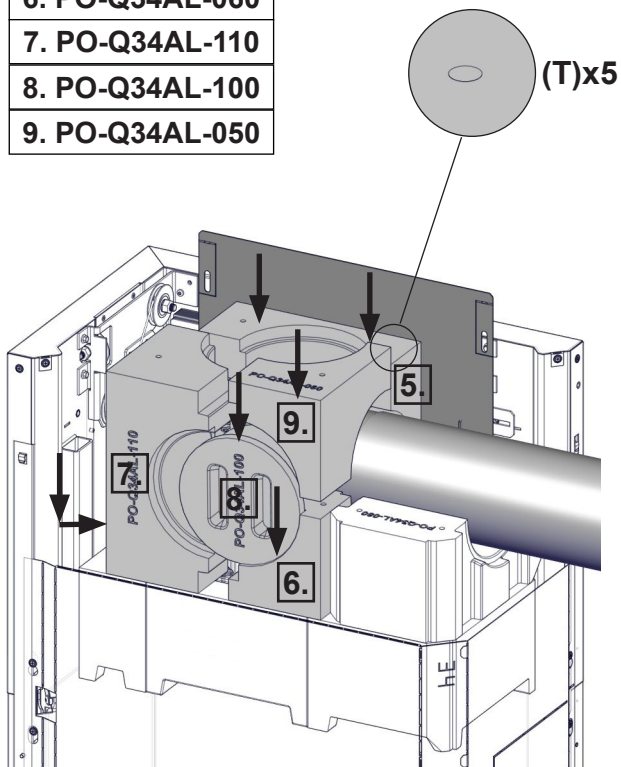


FIG 11B Q-34AL Left

- 5. PO-Q34AL-070
- 6. PO-Q34AL-050
- 7. PO-Q34AL-110
- 8. PO-Q34AL-100
- 9. PO-Q34AL-060

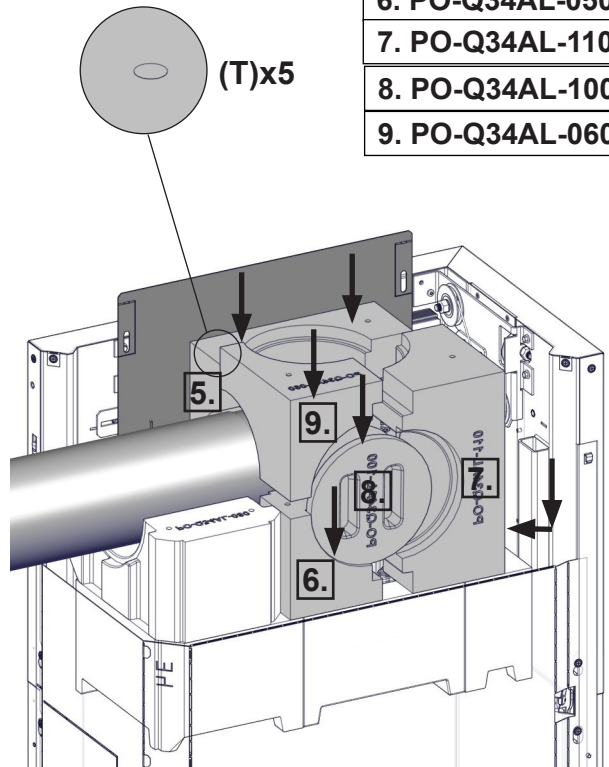
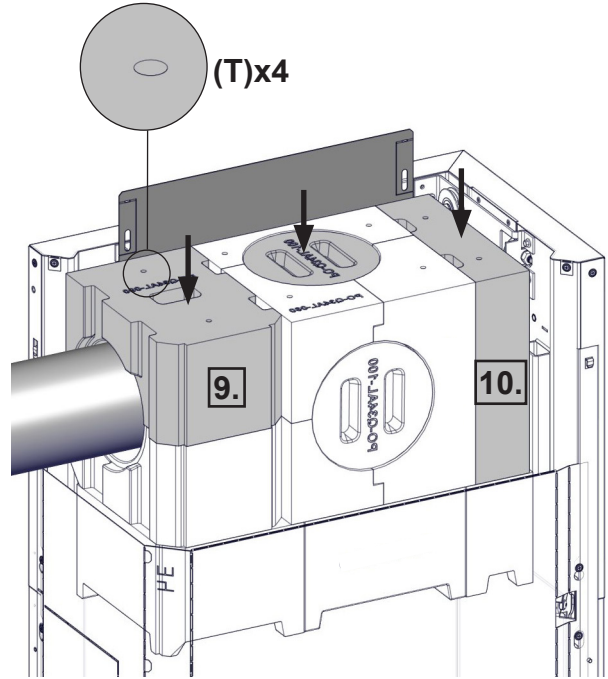
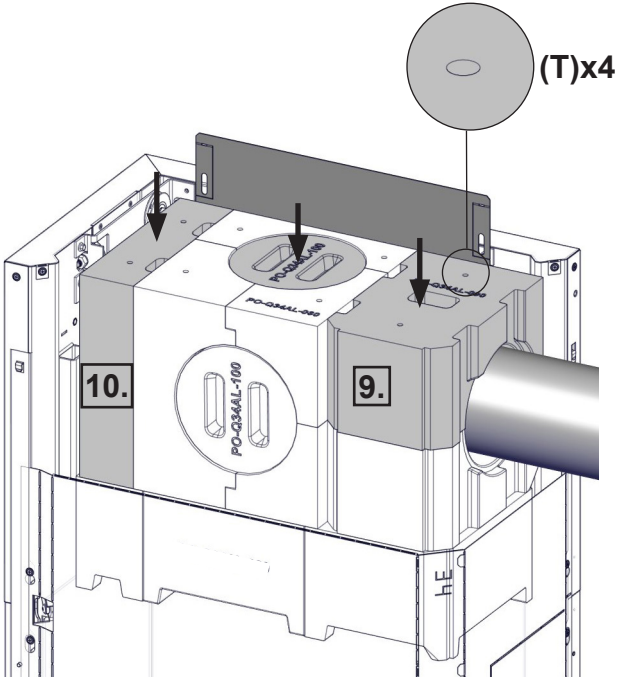


FIG 12A Q-34AL Right

FIG 12B Q-34AL Left

- 10. PO-Q34AL-090
- 11. PO-Q34AL-040
- 12. PO-Q34AL-100

- 10. PO-Q34AL-090
- 11. PO-Q34AL-040
- 12. PO-Q34AL-100



Powerstone set for Q34AL



→ **FIG 7AB**

NO	Nettovikt	131 kg
GB	Net weight	
SE	Nettovikt	
FI	Nettopaino	
DE	Nettogewicht	
FR	Poids net	



Nordpeis AS, Gjellebekkstubben 11, N-3420 LIERSKOGEN, Norway
www.nordpeis.no

Q-34AL