

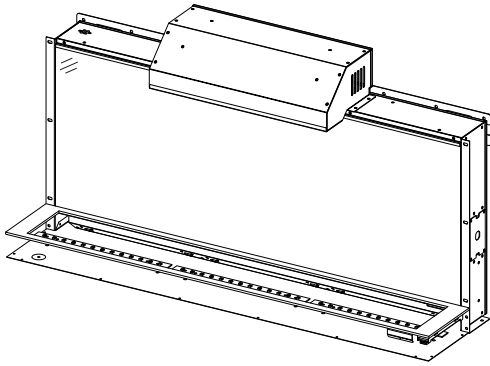
# STYLUS WALLMOUNT ELECTRIC FIREPLACE



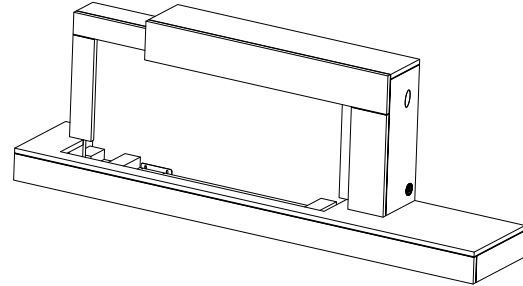
## Specifications

Model	BTU	Width	Height	Depth	Viewing Area
NEFP32-5019W	5000	59 1/8	20 5/16	11	12 x 31 7/8

## Appliance Overview



**NEFLC32H  
E-Box**

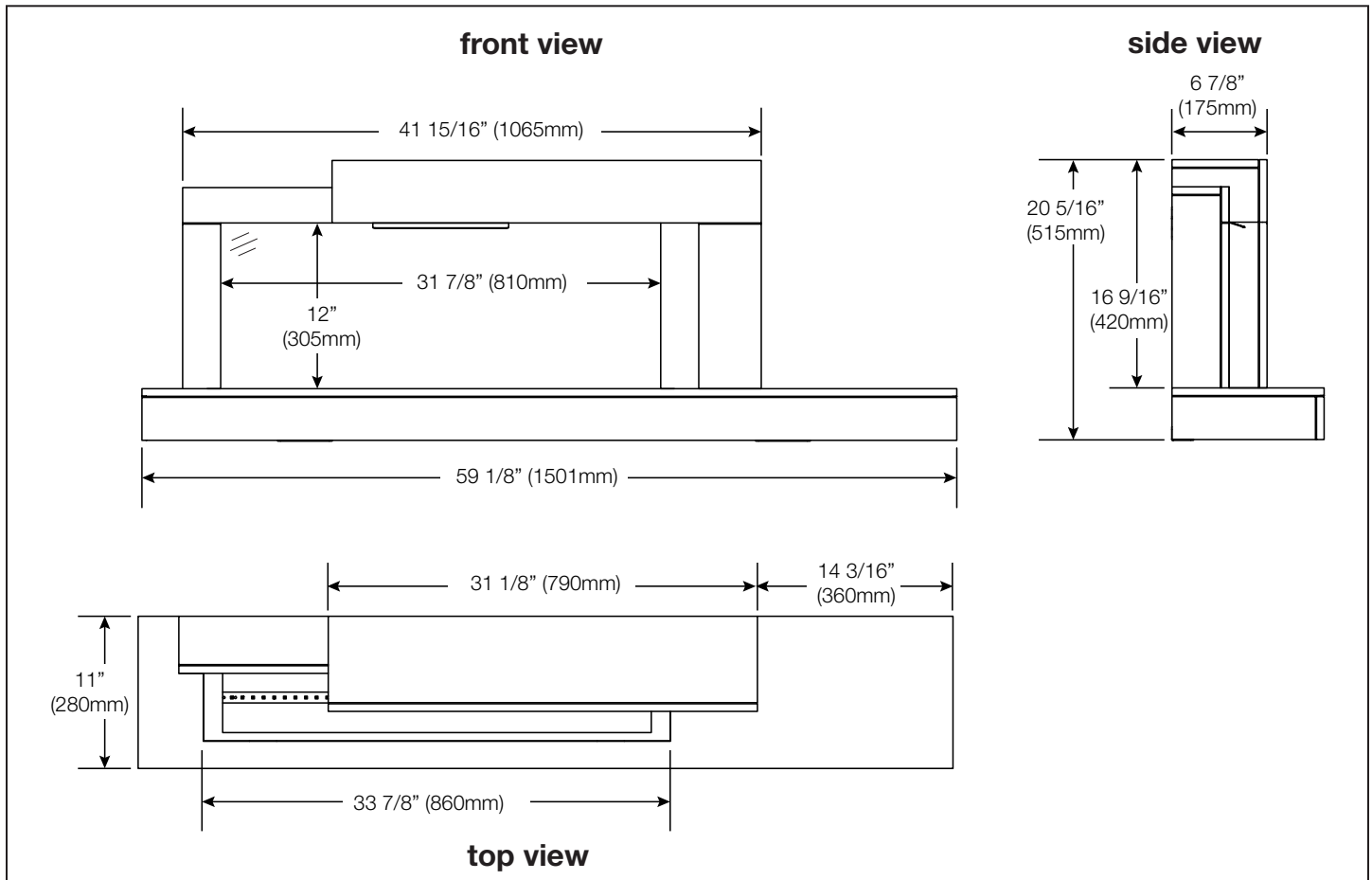


**NEFS32-5019W  
Surround**

**note:**

Your NEFP32-5019W electric appliance comes fully assembled with the exception of media. It consists of the NEFLC32H E-Box and the NEFS32-5019W Surround.

## Dimensions



# STYLUS WALLMOUNT ELECTRIC FIREPLACE



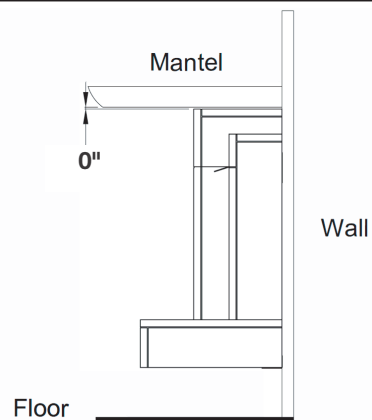
Product information provided is not complete and is subject to change without notice. Please consult the installation manual for the most up to date installation information.

## Minimum Mantel Clearances

### **WARNING**

- When using paint or lacquer to finish the mantel, the paint or lacquer must be heat resistant to prevent discolouration.

Side View (Wall Mount)



## Installation Instructions

1. Have two people hold the appliance against the wall to determine the final location.
2. Place the appliance on a soft, non-abrasive, and flat surface. Remove the rear wall bracket from the back of the appliance by removing the 2 screws (**Fig. 1**).
3. Using the wall mounting installation template (see your appliance manual), mark out the locations of the rear wall bracket and bottom brackets on the wall.
4. Install the rear wall bracket onto the wall using 14 screws (supplied).

### **note:**

The rear wall bracket **MUST** have hooks facing upward and be level.

### **note:**

It is strongly recommended that the rear wall bracket be screwed into the wall studs where possible. If the wall studs cannot be used, ensure that the plastic anchors (supplied) are used to affix the bracket to the wall and the bracket is adequately secured.

5. Install the bottom brackets onto the wall using 4 screws (supplied).
6. Lift the appliance up until the two mounting slots clear the hooks on the rear wall bracket. Slide appliance down until completely secured.
7. Secure the appliance to the bottom brackets using 4 screws (supplied) (**Fig. 2**).

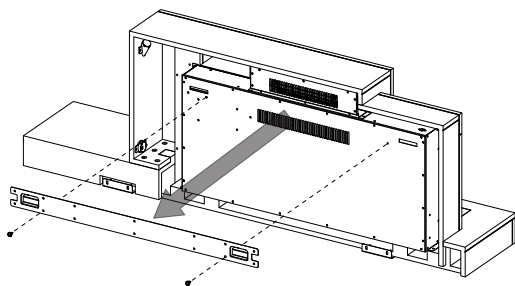


Fig. 1

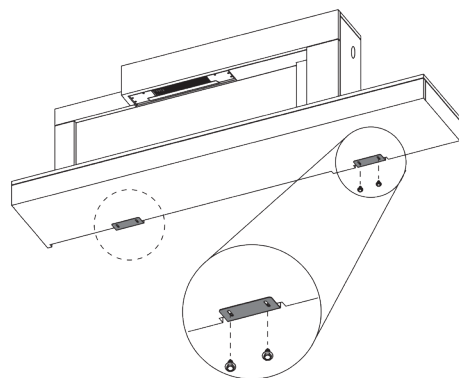


Fig. 2